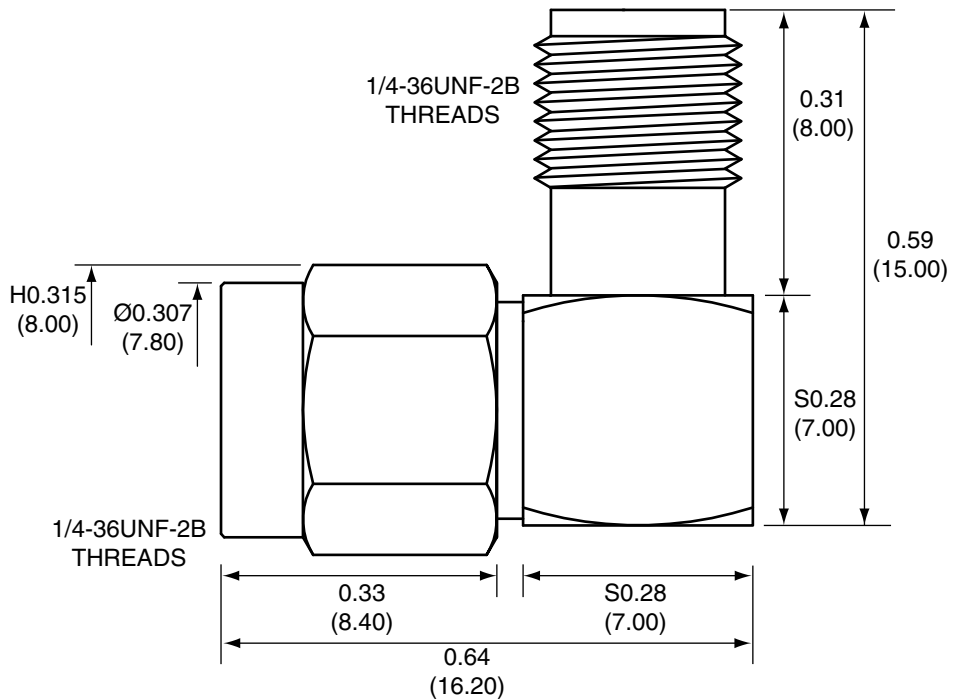


1		
Description	Material	Finish
Body	Brass	Nickel
Pin	PH Bronze	Gold
Insulation	Teflon	Teflon
Gasket	SI Rubber	Rubber
Washer	PH Bronze	Nickel

SIDE VIEW



Title SMA MALE TO SMA FEMALE
RIGHT ANGLE ADAPTOR

CONNECTOR CITY
159 ORT LANE
MERLIN, OR 97532
PH (541)-471-6256
FAX (541)-471-6251

Part No. CONSMA010

Revision: 1.0

Dimensions: INCHES (mm)

Date: 6/2/2006

Sheet 1 of 1

CONNECTOR CITY
THE VALUE OF CONNECTIONS